

Moose Key Card Access Systems

By MGS Software Solutions LLC

Warranty:

All systems come with a 12 month depot warranty, If an event a system goes down ship just the main pc back and we can fix or replace with new.

Monthly or Yearly Fees:

There are no monthly or hidden fees.

Updates / Maintenance:

Our systems don't require any updates or maintenance what so ever. That means no internet or connecting to the lcl required.

Easy to install with the software pre-loaded all you have to do is tie into your existing electric locking system or magnetic locking system and provide power and out system is up and running in minutes! Member can they swipe their Moose Membership card and entry till be granted based on membership standing expired or not

A lot of people often wonder how it knows if the member is valid or not. With our custom software were able to decipher what's encoded on the mag strip of each membership card letting our system know if the member is valid or not which then tells the system to open the door.

Overall Manual and Wire Diagram

This Manual will explain each product and its wire color and meaning. This will also show you wire diagram for possible way to connect the different products together. It's very important for the items that require power to operate must be hooked up before any breaking point.



(Optional) Motion Sensor:

You will be using the following wires from the sensor (Red, Black, Yellow and Blue)

- Red = Positive Power
- Black = Negative Power
- Yellow = Common
- Blue = Normally Closed
- Purple = Normally Open



(Optional) Wireless:

- Red = Positive Power
- Black = Negative Power
- Yellow = Common
- Blue = Normally Closed
- Green = Normally Open



(Optional) Magnetic Lock:

- Red = Positive Power
- Black = Negative Power



(Optional) Electric Strike:

- Red = Positive Power
- Black = Negative Power



(Optional) Power Supply (For Motion and Magnetic Lock):

You have 2 wires (Red, Black)

- Red = Positive Power (has white dashes)
- Black = Negative Power (solid no dashes)



Moose Key Card Access System:

You will be using the following wires

- White = Common
- Red = Normally Closed
- Green = Normally Open



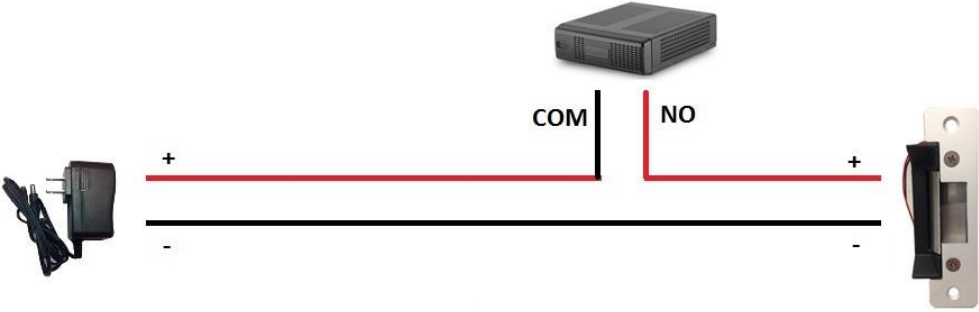
USB Card Swipe:

- Can be connected to any of the 4 usb ports on the back on the unit.

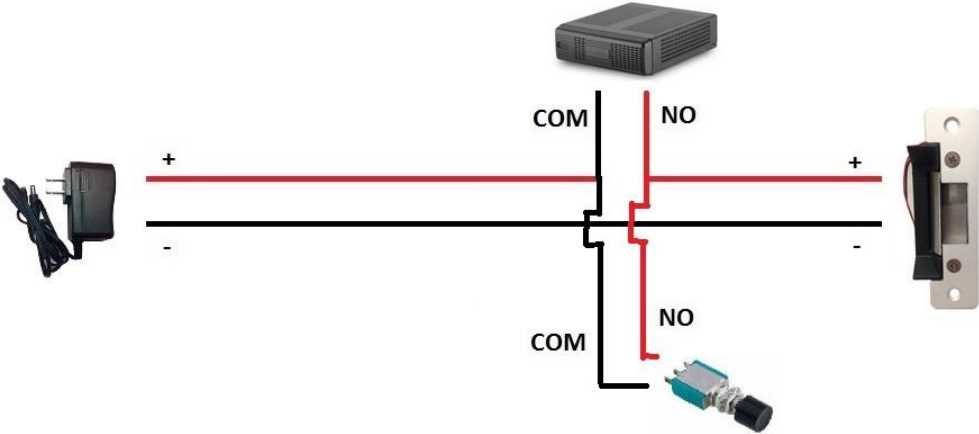


Power Supply (For Moose Key Card Access System)

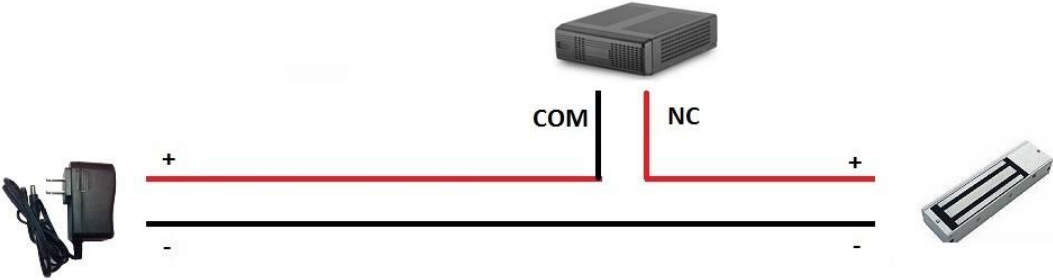
Moose Key Card Access System with Electric Strike



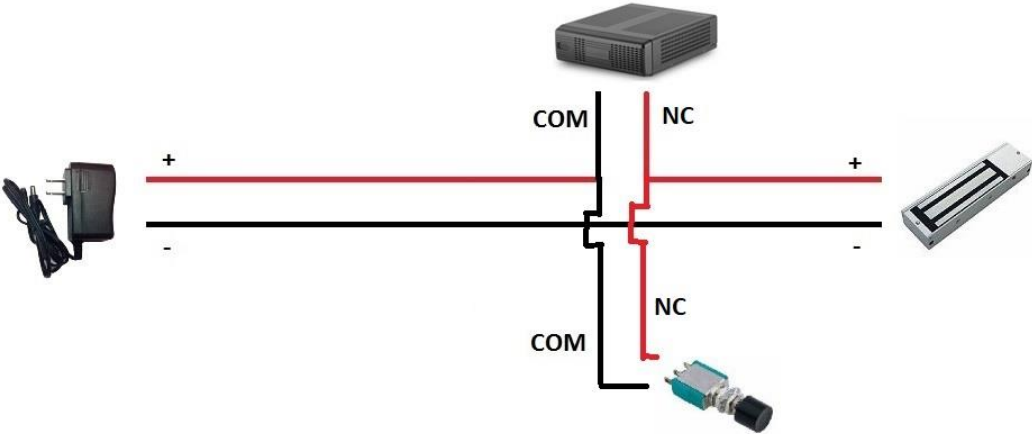
Moose Key Card Access System with Electric Strike and Push Button



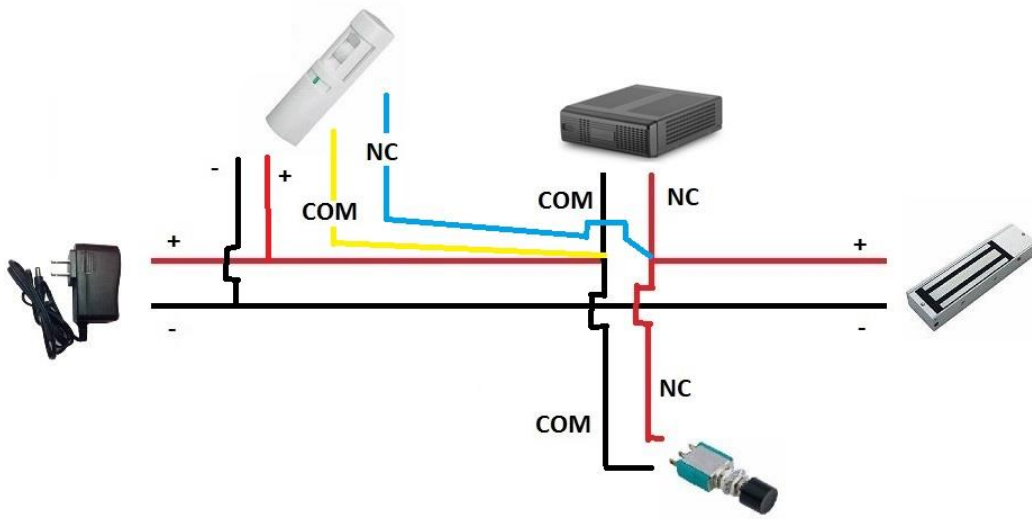
Moose Key Card Access System with Electric MAG



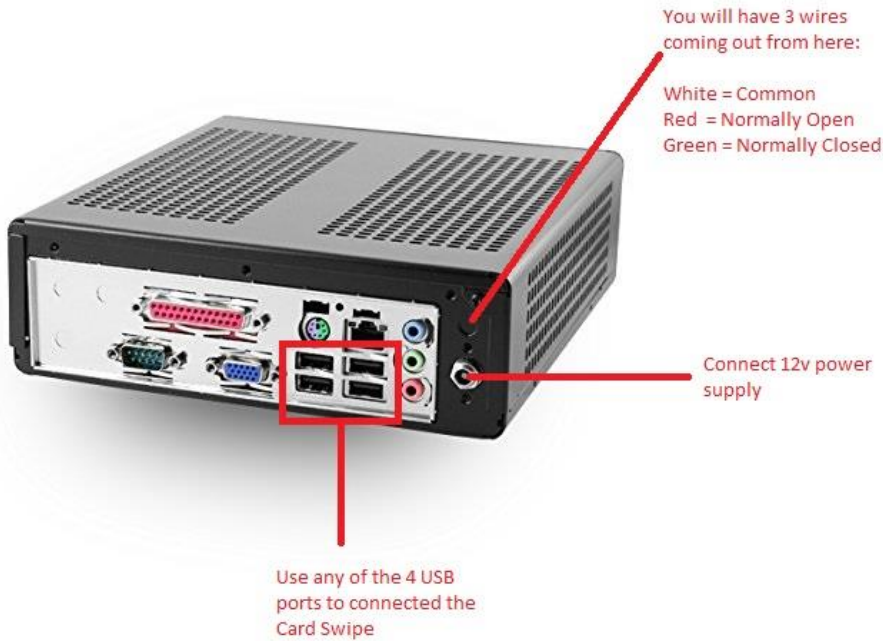
Moose Key Card Access System with Electric MAG and Push Button



Moose Key Card Access System with Electric MAG, Push Button and Motion



How to connect the power supply and usb card swipe to the system.



How to turn the system on once all connected: NOTE: the system will turn on automatically once power is connected.



Power Button
when off



Power Button will
light up Blue when
system is turned on